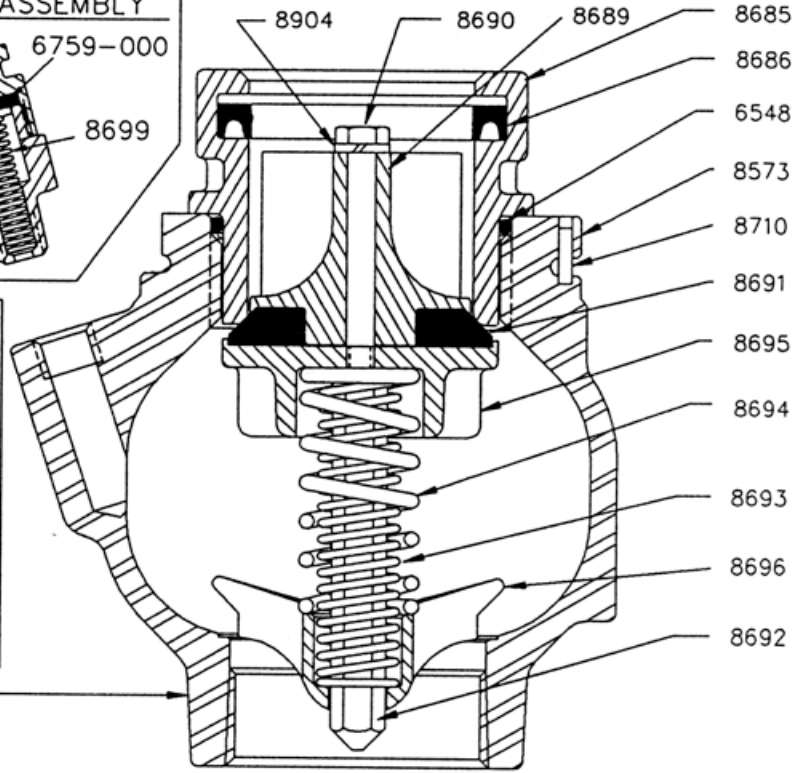
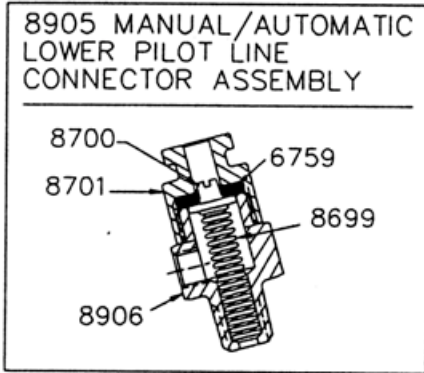
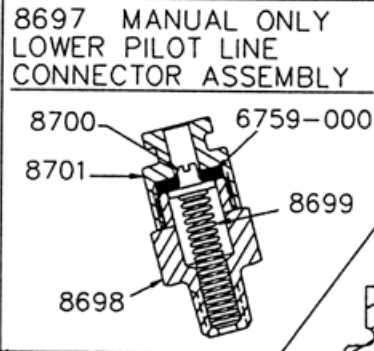
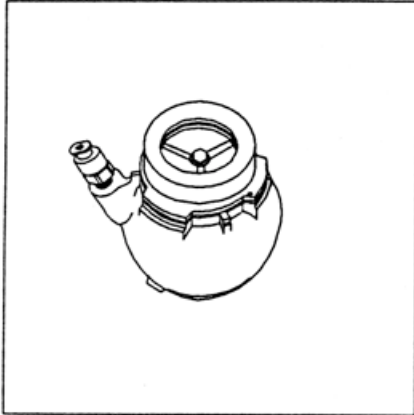


PART NO.	DESCRIPTION	PART NO.	DESCRIPTION
8879-001	UPPER HOUSING (2.0" NPT)	8672	GALV. 90° STREET ELBOW
8879-002	UPPER HOUSING (2.0" BSP)	7880	HOSE ASSEMBLY includes
8878	UPPER HOUSING (flanged)	8673	HOSE BARB
8659	STUD (use with flanged housing only)	8674	HOSE
6132	NUT (use with flanged housing only)	8422	HOSE CLAMP
8660	SEAL RETAINER	8729	SCREEN
8911	ROD WIPER	8765	HOSE BARB
8661	O-RING	8728	HOSE NUT
8880	PLUNGER DIAPHRAGM ASSEM.(includes)	8675	UPPER PILOT LINE CONNECTOR ASSEMBLY (includes the following)
8877	PLUNGER	8676	CONNECTOR
8664	RETAINER-DIAPHRAGM	8677	PILOT
8665	CAP SCREW	8678	WASHER
8666	PISTON	8679	TUBE
8667	DIAPHRAGM	8680	PIPE
8668	PISTON SPRING	8681	BUSHING
8669	SPRING DEPRESSOR	8682	SPRING
8670	CYLINDER	8683	ELBOW
6818	CAP SCREW	8766	ADAPTER
6060	NUT	8729	SCREEN
8671	GUARD		



PART NUMBERS FOR VALVE BODY (connection thread options)		
SIZE	PART NO.	DESCRIPTION
2 inch	8573-000	BODY 2.0" NPTF
	8573-001	BODY 2.0" BSP
	8903-000	BODY 2.0" NPTF WITH 1/4" SIDE TAP (used for QCE manual/auto electric valve)
	8903-001	BODY 2.0" BSP WITH 1/4" SIDE TAP (used for QCE manual/auto electric valve)
3 inch	8734-000	BODY 3.0" NPTF (REQUIRES THE USE OF #8798 SPIDER)
	8734-001	BODY 3.0" BSP (REQUIRES THE USE OF #8798 SPIDER)
	8734-002	BODY 3.0" NPTF WITH 1/4" SIDE TAP (USE #8798 SPIDER) (used for QCE manual/auto electric valve)
	8734-003	BODY 3.0" BSP WITH 1/4" SIDE TAP (USE #8798 SPIDER) (used for QCE manual/auto electric valve)

DESCRIPTION OF ALL VALVE PARTS (except the valve body options listed above).

PART NO.	DESCRIPTION	PART NO.	DESCRIPTION
8685	BUSHING	8691	SEAT
8686	U-CUP SEAL	8692	ROD
6548	O-RING	8693	SPRING-INNER
8689	GUIDE	8694	SPRING-OUTER
8690	BOLT	8695	Seat - Retainer
8904	LOCKWASHER	8696	SPIDER
8710	STOP PIN	8798	SPIDER (for 3" thread option)
8905	LOWER PILOT LINE CONNECTOR ASSEMBLY (MANUAL/AUTO) includes:	8697	LOWER PILOT LINE CONNECTOR ASSEMBLY (MANUAL ONLY) includes:
8906	HEX FITTING WITH SIDE TAP	8698	HEX FITTING
8701	LOWER COUPLING	8701	LOWER COUPLING
8700	POPPET	8700	POPPET
8699	SPRING	8699	SPRING
6759-000	SEAL	6759-000	SEAL